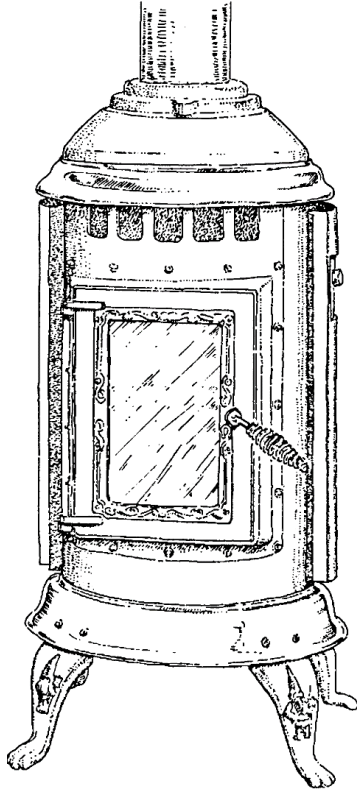


PARLOUR 3000-MV

DIRECT VENT GAS HEATER

Installation and Operating Instructions



⚠ WARNING:
FIRE OR EXPLOSION HAZARD
Failure to follow safety warnings exactly could result in serious injury, death, or property damage.

- Do not store or use gasoline or other flammable vapors and liquids in the vicinity of this or any other appliance.
- **WHAT TO DO IF YOU SMELL GAS**
 - Do not try to light any appliance.
 - Do not touch any electrical switch; do not use any phone in your building.
 - Leave the building immediately.
 - Immediately call your gas supplier from a neighbor's phone. Follow the gas supplier's instructions.
 - If you cannot reach your gas supplier, call the fire department.
- Installation and service must be performed by a qualified installer, service agency or the gas supplier.

⚠ DANGER



HOT GLASS WILL CAUSE BURNS.
DO NOT TOUCH GLASS UNTIL COOLED.
NEVER ALLOW CHILDREN TO TOUCH GLASS.

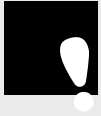
A barrier designed to reduce the risk of burns from the hot viewing glass is provided with this appliance and shall be installed for the protection of children and other at-risk individuals.

This appliance may be installed in an aftermarket, permanently located, manufactured home (USA only) or mobile home, where not prohibited by local codes.

This appliance is only for use with the type of gas indicated on the rating plate. This appliance is not convertible for use with other gases, unless a certified kit is used.

Parlour-Direct-Vent-Gas-MV-Owners-Manual-TH-REF-SLS-233 2021

CUSTOMER: PLEASE KEEP INSTRUCTIONS FOR FUTURE REFERENCE
INSTALLER: PLEASE LEAVE THIS MANUAL WITH THE CUSTOMER!
PLEASE READ THIS ENTIRE MANUAL BEFORE INSTALLATION.
SAVE THESE INSTRUCTIONS.



SAFETY NOTICES

For Your Safety

Do not store or use gasoline or any other flammable vapors or liquids in the vicinity of this or any other appliance

What to do if You Smell Gas

- Do not try to light any appliance.
- Open windows.
- Do not touch electrical switches.
- Do not use any phone in your building.
- Extinguish any open flame.
- Immediately call your gas supplier from a neighbor's phone. Follow the gas supplier's instructions.

If you cannot reach the gas supplier, call the fire department.

A barrier designed to reduce the risk of burns from the hot viewing glass is provided with this appliance and shall be installed for the protection of children and other at-risk individuals.

If the barrier becomes damaged, the barrier shall be replaced with the manufacturer's barrier for this appliance.

Installation

PLEASE READ INSTRUCTIONS CAREFULLY BEFORE INSTALLING AND OPERATING THE APPLIANCE

- Heater must be properly installed and maintained or a house fire may result.
- For your safety, follow the installation instructions.
- Contact local building officials about restrictions and installation inspection.
- Failure to comply with owner's manual instructions will void warranty.

Installation and service must be performed by a qualified installer, service agency or the gas supplier.

WARNING: If the information in these instructions are not followed exactly a fire or explosion may result causing property damage, personal injury or loss of life.

MASSACHUSETTS: The gas piping and the final gas connection must be performed by a licensed plumber or gas fitter in the state of Massachusetts.





SAFETY NOTICES

IF THIS APPLIANCE IS NOT PROPERLY INSTALLED, A HOUSE FIRE, OR EXPLOSION MAY RESULT. FOR YOUR SAFETY, FOLLOW THE INSTALLATION DIRECTIONS. CONTACT LOCAL BUILDING OR FIRE OFFICIALS ABOUT RESTRICTIONS AND INSTALLATION REQUIREMENTS IN YOUR AREA. PLEASE READ THIS ENTIRE MANUAL BEFORE YOU INSTALL AND USE YOUR NEW APPLIANCE. FAILURE TO FOLLOW INSTRUCTIONS MAY RESULT IN PROPERTY DAMAGE, BODILY INJURY OR DEATH. DO NOT OPERATE WITH DOOR OPEN!

Safe installation and operation always require common sense. We are also required by Canadian and ANSI safety standards to point out the following:

INSTALLATION AND REPAIR SHOULD BE DONE BY A QUALIFIED SERVICE PERSON. THE APPLIANCE SHOULD BE INSPECTED BEFORE USE AND AT LEAST ANNUALLY BY A PROFESSIONAL SERVICE PERSON. MORE FREQUENT CLEANING MAY BE REQUIRED DUE TO EXCESSIVE LINT FROM CARPETING, BEDDING MATERIAL, ET CETERA. IT IS IMPERATIVE THAT CONTROL COMPARTMENTS, BURNERS AND CIRCULATING AIR PASSAGEWAYS OF THE APPLIANCE BE KEPT CLEAN.

IT IS IMPERATIVE THAT CONTROL COMPARTMENTS, BURNERS AND CIRCULATING AIR PASSAGEWAYS OF THE APPLIANCE ARE KEPT CLEAN.

DUE TO HIGH TEMPERATURES, THE APPLIANCE SHOULD BE LOCATED OUT OF TRAFFIC AND AWAY FROM FURNITURE AND DRAPERIES.

DO NOT USE THIS HEATER IF ANY PART HAS BEEN UNDER WATER. IMMEDIATELY CALL A QUALIFIED SERVICE TECHNICIAN TO INSPECT THE HEATER AND TO REPLACE ANY PART OF THE CONTROL SYSTEM AND ANY GAS CONTROL WHICH HAS BEEN UNDER WATER.

CLOTHING OR OTHER FLAMMABLE MATERIALS SHOULD NOT BE PLACED ON OR NEAR THE APPLIANCE.

“THE FLEXIBLE CORD PROVIDED MUST BE CONNECTED TO A LINE VOLTAGE ELECTRICAL SUPPLY”.

ANY SAFETY SCREEN OR GUARD REMOVED FOR SERVICING A ROOM HEATER MUST BE REPLACED PRIOR TO OPERATING THE APPLIANCE.

NEVER VENT THE APPLIANCE INTO OTHER ROOMS OR BUILDINGS. THE APPLIANCE MUST BE VENTED ONLY TO THE OUTSIDE.

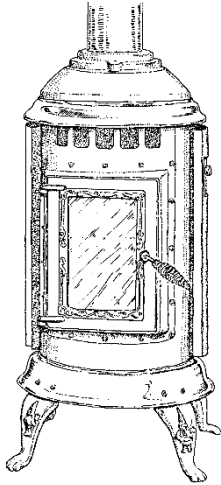
THIS APPLIANCE MUST NOT BE CONNECTED TO A CHIMNEY FLUE SERVING A SEPARATE SOLID-FUEL BURNING APPLIANCE.

CHILDREN AND ADULTS SHOULD BE ALERTED TO THE HAZARDS OF HIGH SURFACE TEMPERATURES AND SHOULD STAY AWAY TO AVOID BURNS OR CLOTHING IGNITION.

YOUNG CHILDREN SHOULD BE CAREFULLY SUPERVISED WHEN THEY ARE IN THE SAME ROOM AS THE APPLIANCE.



INSTALLATION



INSTALLATION CHECKLIST

- Dealer _____
- Installer _____
- Phone _____
- Installation Date _____
- Serial Number _____

Listing and Codes

This appliance is suitable for installation in a bedroom or bed sitting room.

The Parlor is listed and certified for installation in the U.S.A. under the following standards:

This appliance may be installed in an aftermarket permanently located, manufactured (mobile) home, where not prohibited by local codes. This appliance is only for use with the type of gas indicated on the rating plate. This appliance is not convertible for use with other gases, unless a certified kit is used.

ANSI Z21.88-2019
(Vented Gas Fireplace Heater)

Please contact Thelin Hearth Products, Inc, if you have any questions regarding the certification of this appliance.

INDEX OF CONTENTS

- Airflow, 9
- Alcove Installation, 17
- Appendix A, 34
- Appendix B, 35
- Appendix C, 36
- Bedroom Installation, 14
- Burner Inspection, 24
- Burner On/Off Switch, 21
- Chrome
 - polishing, 26
- Cleaning
 - glass, 31
 - gold-plated parts, 26
- Clearance to Combustibles, 11, 14
- Control Components, 23
- Delayed Ignition, 32
- Diagram of Dimensions, 10
- Diagrams
 - Air Shutter, 13
 - Control Components, 23
 - Dimensions, 10
 - Gas Valve and Pilot Assembly, 33
 - Make Up Air Kit, 35
 - Pilot, Burners, and Logs, 22
 - Pressure Gauge Insertion, 13
 - Safety Door, 32
 - Securing Door, 31
 - Snap Disc Sensor, 32
 - Vent Termination, 20
 - Vent Termination Locations, 15
 - Venting Requirements, 18
 - Vertical Pipe Installation, 34
 - Wiring, 29
- Door Gasket, 24
- Door Opening, 31
- Electrical Grounding Instructions, 12
- Electrical Rating, 14
- Fan and Flame Adjustment, 24
- Fan Control Knob, 21
- Firebox Inspection, 24
- Floor Protection, 14
- Gas Control Knob, 21
- Gas Data, 14
- Gas Leaks, 2, 7
- Gas Line Installation, 21
- Gas Valve, 33
- Glass Replacement, 26
- Gold
 - polishing, 26
- Hi/Lo Flame Adjust, 21
- Horizontal Installation, 14
- Horizontal Termination, 14
- Initial Burn, 24
- Installation, 14
- Introduction and Safety Information, 9
- Lab Accreditation, 12
- Lighting Instructions, 25
- Lighting the Pilot, 21, 24
- Listing Criteria, 12
- Listing Label, 8
- Location of Controls, 21
- Maintenance, 24
- Maintenance Procedures
 - polishing gold and chrome, 26
- Make Up Air Kit, 35
- Manifold Pressure, 12
- Mobile Home Installation, 17
- Operation, 21
- Orifice Information, 13
- Orifice Size, 14
- Permit, 9
- Pilot Assembly, 33
- Pilot Igniter, 21
- Pilot Inspection, 24
- Pipe Size, 14
- Pyrotech Log Placement, 36
- Replacement Parts List, 28
- Safety Door, 32
- Securing Door, 31
- Snap Disc Sensor, 32
- Snorkel, 17
- Sounds, 24
- Specifications, 12
- Troubleshooting, 27
- Vent Maintenance, 19
- Vent Termination, 20
- Venting Requirements, 17, 18
- Vertical Installation, 17
- Vertical Termination, 17
- Wall Thermostat Control, 21
- Warranty Information, 30
- Wiring Diagram, 29

FIGURES

Figure 1 – Diagram of Dimensions.....	10
Figure 2 – Clearance to Combustibles.....	11
Figure 3 – Bottom View Showing Air Shutter and Location for Pressure Gauge Insertion	13
Figure 4 – Vent Termination Locations.....	15
Figure 5 – Diagram of Venting Requirements.....	18
Figure 6 – Vent Termination.....	20
Figure 7 – Location of Pilot, Burners, and Logs.....	22
Figure 8 – Diagram of Control Components	23
Figure 9 – Wiring Diagram.....	29
Figure 10 – Directions for Enabling Door Opening and Securing Door	31
Figure 11 – Delayed Ignition Safety Door.....	32
Figure 12– Gas Valve and Pilot Assembly.....	33
Appendix A – Vertical Pipe Installation – Air Intake Restrictor Disks.....	34
Appendix B – Parlour Stove with Burner	35
Appendix C – Pyrotech Log Placement.....	36
Appendix D - Glass Safety Screen	37

WARNING

Failure to follow the information in this manual exactly could result in a fire, explosion resulting in property damage, personal injury, and loss of life.

Do not store or use gasoline or other flammable liquids in the vicinity of this or any other appliance.

WHAT TO DO IF YOU SMELL GAS

DO NOT TRY TO LIGHT ANY APPLIANCE



DO NOT TOUCH ANY ELECTRICAL SWITCH



DO NOT TURN ON ANY LIGHTS OR LAMPS



DO NOT USE ANY PHONE IN YOUR BUILDING



IMMEDIATELY CALL GAS SUPPLIER FROM A
NEIGHBOR'S PHONE



FOLLOW THE GAS SUPPLIER'S INSTRUCTIONS



IF YOU CANNOT REACH THE GAS SUPPLIER, CALL THE
FIRE DEPARTMENT



INSTALLATION AND SERVICE MUST BE DONE BY A
LICENSED INSTALLER, SERVICE AGENCY, OR GAS
SUPPLIER

LABORATORY LISTING LABEL



Report No. F21-700

DO NOT REMOVE THIS LABEL

CONTACT LOCAL BUILDING OR FIRE OFFICIALS ABOUT
 INSTALLATION AND RESTRICTIONS IN YOUR AREA.
 VENTED GAS ROOM HEATER FIREPLACE
 THIS GAS HEATER IS NOT FOR USE WITH AIR FILTERS
 TESTED TO: ANSI Z21:88-2019



THEELIN
 HEARTH PRODUCTS

MODEL: PARLOUR DV GAS MV EI Date: Serial Number:

THIS UNIT IS EQUIPPED FOR USE WITH: NATURAL GAS PROPANE (L.P.)

Input and Orifice Specifications	Minimum Clearance to Combustibles			
	N.G.	L.P.		
Maximum Input Rating (BTU/Hr)	32,000	28,000	Unit to Sidewall	10"
Minimum Input Rating (BTU/Hr)	18,600	16,800	Unit to Backwall	4"
Burner Orifice (DMS)	39	53	Unit to Cornerwall	8"
Manifold Pressure HI Setting (in W.C.)	3.5*	10.0*	Alcove Minimum Width	50"
Manifold Pressure LO Setting (in W.C.)	1.7*	3.5*	Alcove Minimum Depth	32"
Minimum Inlet Pressure (in W.C.)	5.5*	11.0*	Alcove Minimum Height	50"

Blower & Igniter System Electrical Rating: 115Volts, 2 Amps, 60 Hz.

WARNING: Operation of this heater when not connected to a properly installed and maintained direct venting system can result in injury and possible death. Improper installation, adjustment, alteration, service or maintenance can cause injury or property damage. Refer to the information in the owner's manual provided with this appliance. For assistance or additional information consult a qualified installer, service agency or the gas supplier.

Risk of Electrical Shock. Disconnect power before servicing unit.
 This appliance may be installed in a mobile home and sleeping room provided the wall thermostat options is used.

This appliance is only for use with the type of gas indicated on the rating plate and may be installed in an aftermarket, permanently located, manufactured (mobile) home where not prohibited by local codes. See owner's manual for details.

This appliance is not convertible for use with other gases, unless a certified kit is used.

This heater must be properly connected to a Simpson DuraVent GS Venting System or similar UL Approved System in accordance with the manufacturer's installation instructions. If heater is removed from venting system it must be attached and resealed per vent manufacturer requirements and in accordance with this installation manual.

NOTE: For use with glass door certified with this appliance only.

DANGER: RISK OF ELECTRICAL SHOCK. DISCONNECT POWER SERVICING UNIT. DO NOT RUN POWER CORD UNDER APPLIANCE. KEEP BURNER AND CONTROL COMPARTMENT CLEAN. SEE INSTALLATION AND OPERATING INSTRUCTIONS.

Manufactured by: Theelin Hearth Products, Inc., 63 Loxalt Dr. Carson City, NV 89706 P/N 00-0075-0042r2

INTRODUCTION AND SAFETY INFORMATION

TheLin Co., Inc. would like to thank you for choosing our Parlour 3000 Direct Vent Gas appliance. Whether you are hooking up to a natural gas or liquid propane gas, please read the following safety information thoroughly before installing or lighting your new gas heater. Improper installation will void your warranty, but, more importantly, incorrect installation and/or hook-up could result in serious injury and even loss of life. Follow these instructions closely and do not deviate from them without the permission of licensed and trained personnel knowledgeable of the installation and operation of gas appliances.

If You Smell Gas:

- Extinguish any open flame.
- Do not light any appliance.
- Do not plug in or unplug any electrical plug or switch.
- Open windows and vacate building.
- Call gas supplier from a phone outside of your house or if unable to reach supplier, call fire department (also from phone outside of your house).

Safety Check Before Installation

This appliance must be installed by a licensed and qualified installer to prevent the possibility of explosion. This instruction manual must be strictly adhered to. Do not use makeshift methods or compromise the installation in any way. Improper installation will void the warranty and safety listing.

This appliance is approved for either natural gas or LP (liquid propane) gas. Burning the incorrect fuel will void the warranty and safety listing and could cause extreme hazard. Make sure you have the proper gas valve for the fuel being used. The gas valve is clearly marked natural gas or LP gas. This

marking can be found on the back of the stove above the gas line (see Figure 1).

Permit

Contact your local building officials and obtain a permit before beginning installation. Notify your insurance company and provide them with the proper inspection documents indicating that the appliance has been installed to code and inspected and also passed inspection.

Flammables

Do not store or use gasoline or other flammable liquids in the vicinity of the heater.

Airflow

Always keep control compartment and fan air passageways free of lint and dust and obstructions (see Figure 11). Do not place clothing or other flammable items on or near the heater. The heater can be controlled by a thermostat and will come on automatically if the thermostat option is hooked up and utilized. **Educate small children that external portions of the heater are extremely hot! Young children should be supervised if they are in the same room with the heater.**

Safe Operation

Operate this heater in accordance with the instructions in this manual. Light the pilot and burner using built-in piezo lighter. Do not use matches or any other lighting device external to your appliance. If the pilot or main burner do not light correctly, turn off the gas at the gas control valve (see Figure 8), and call your dealer or service person. If the flame becomes sooty, dark orange in color, or extremely tall and lazy, do not operate the heater. Call your dealer. Do not operate the heater if any portion of the heater has been submerged in water or any corrosion occurs. Do not operate if you suspect any improper operation. Call your dealer.

FIGURE 1 – DIAGRAM OF DIMENSIONS

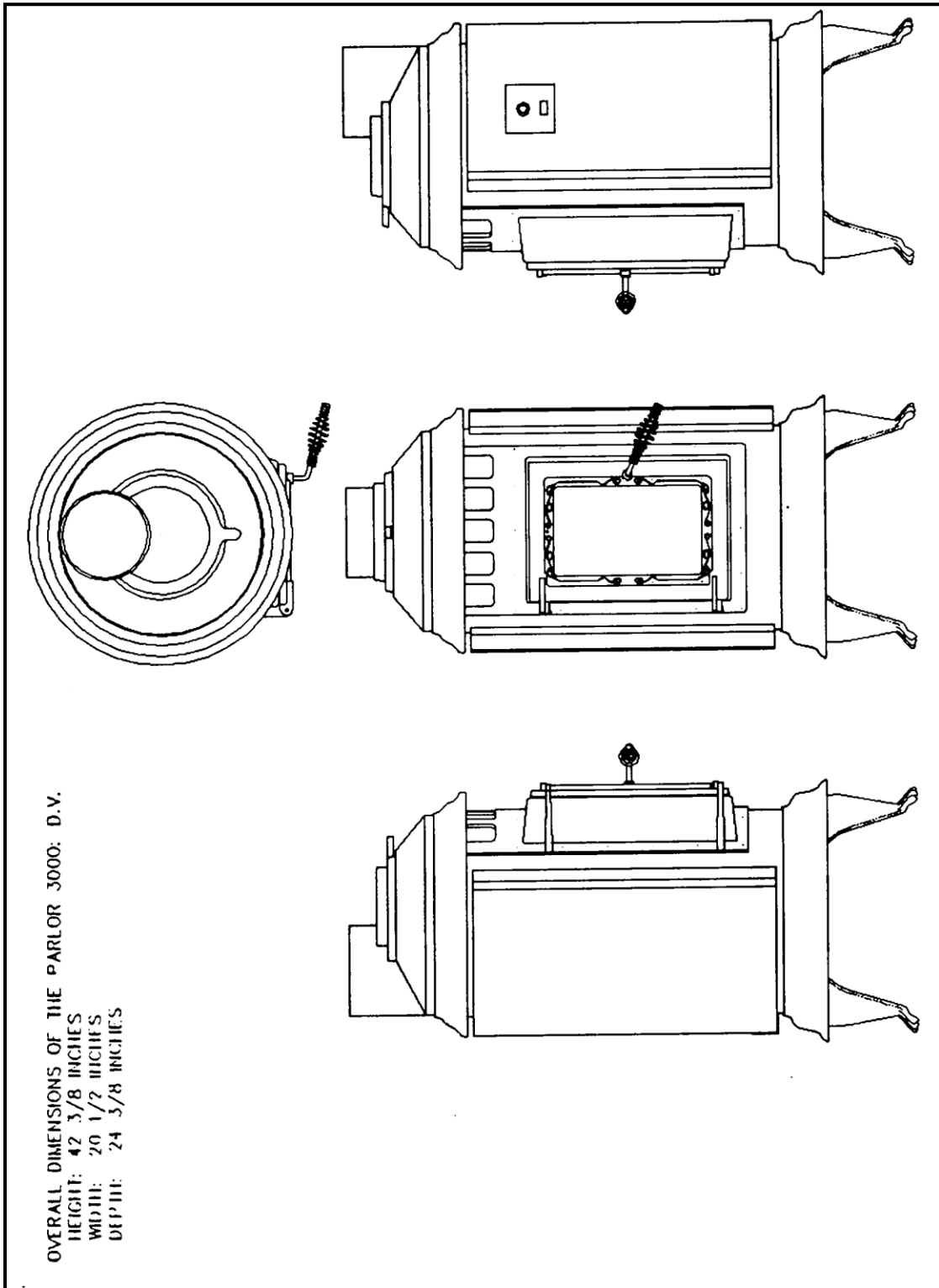
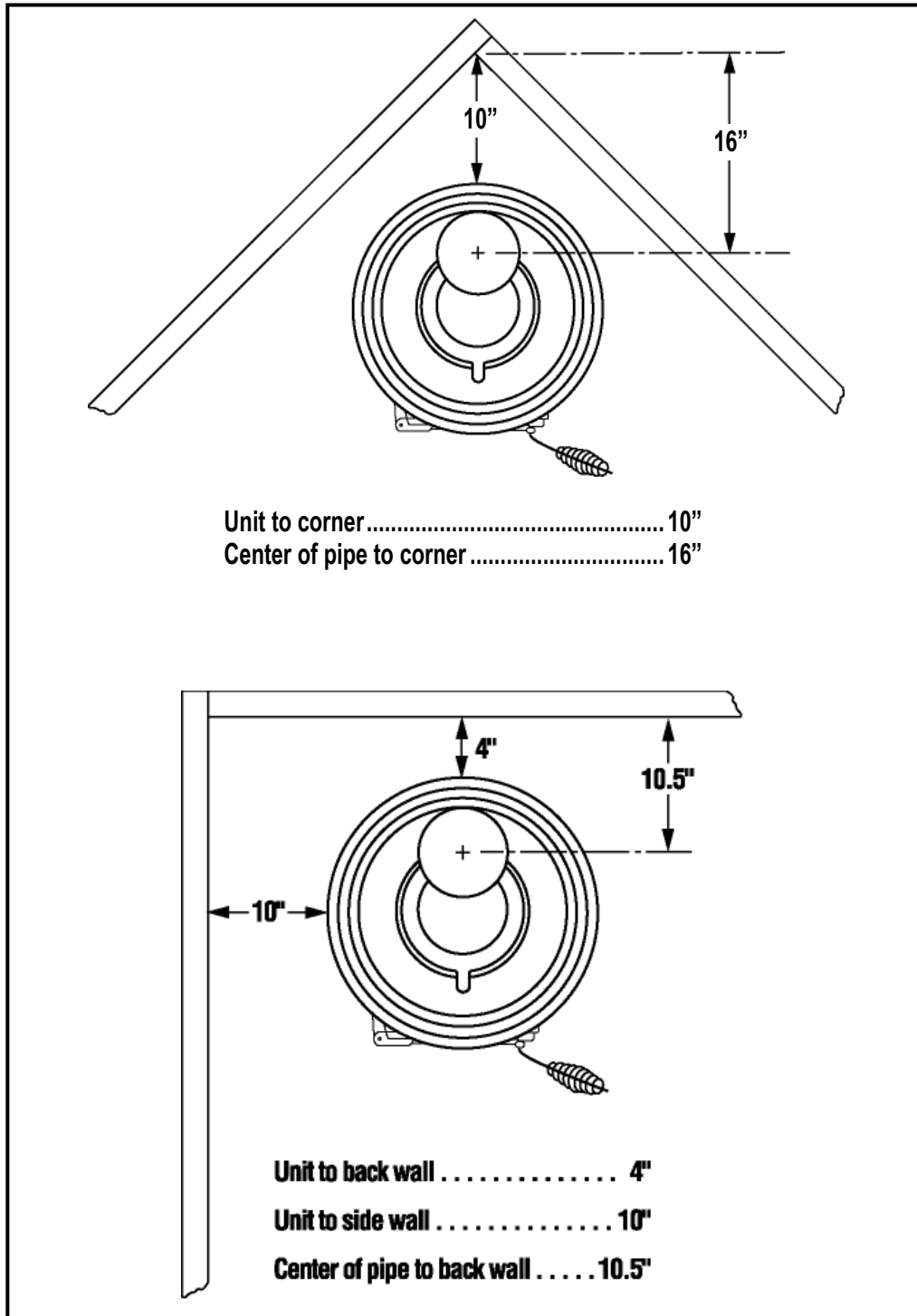


FIGURE 2 – CLEARANCE TO COMBUSTIBLES



Please use these diagrams to place your stove in the room.
Please note "Cornerwall" means from the back of the stove to the corner.

IMPORTANT INFORMATION

This appliance must be installed in accordance with all local codes, if any. If not, follow ANSI Z21.88-2019. Installation codes, ANSI 223.1, NFPA 54, or current editions.

Please record the following information and keep this manual as a permanent document for your records in case you require service in the future.

Model: (Check one) Parlour 3000 Direct Vent Natural Gas
 Parlour 3000 Direct Vent LP (Liquid Propane) Gas

Mail in your warranty card and save your bill of sale. You will need to show this evidence of date of purchase to receive full warranty coverage.

Door and Logs

Always allow the heater to cool before carrying out any maintenance or cleaning. The viewing door should be opened for service only (see Maintenance section). Do not place anything inside the firebox area except authorized Thelin Hearth Products, Inc factory log set. If the logs become damaged, replace with factory-authorized logs. Never remove, replace, modify, or substitute any part of this appliance unless given instructions to do so by factory-trained personnel or professionally licensed and certified gas technicians.

Electrical Considerations

WARNING: Electrical Grounding Instructions. This appliance is equipped with a three-pronged (grounding) plug for your protection against shock hazard and should be plugged directly into a properly-grounded three-prong receptacle. Do not cut or remove the grounding prong from this plug. This must be grounded in accordance with local codes, or, in the absence of local codes, with the National Electric Code ANSI/NFPA.

Safety Check Conclusion

Do not throw this Owner's Manual away. This manual contains important hook-up, operation, and maintenance instructions that you may need in the future. Thelin Hearth Products, Inc, grants no

warranty, implied or stated, for the installation and maintenance of your heater and assumes no responsibility of any consequential damages as a result of improper installation or failure to perform routine maintenance.

SPECIFICATIONS

Listing Criteria, Lab Accreditation

See Listing Label (See Important Instructions section) for laboratory listing criteria. When pressure testing the gas supply at test pressures in excess of 1/2 psig (3.5kPa) you must isolate the heater from the supply line by disconnecting or utilizing the gas shut off valve.

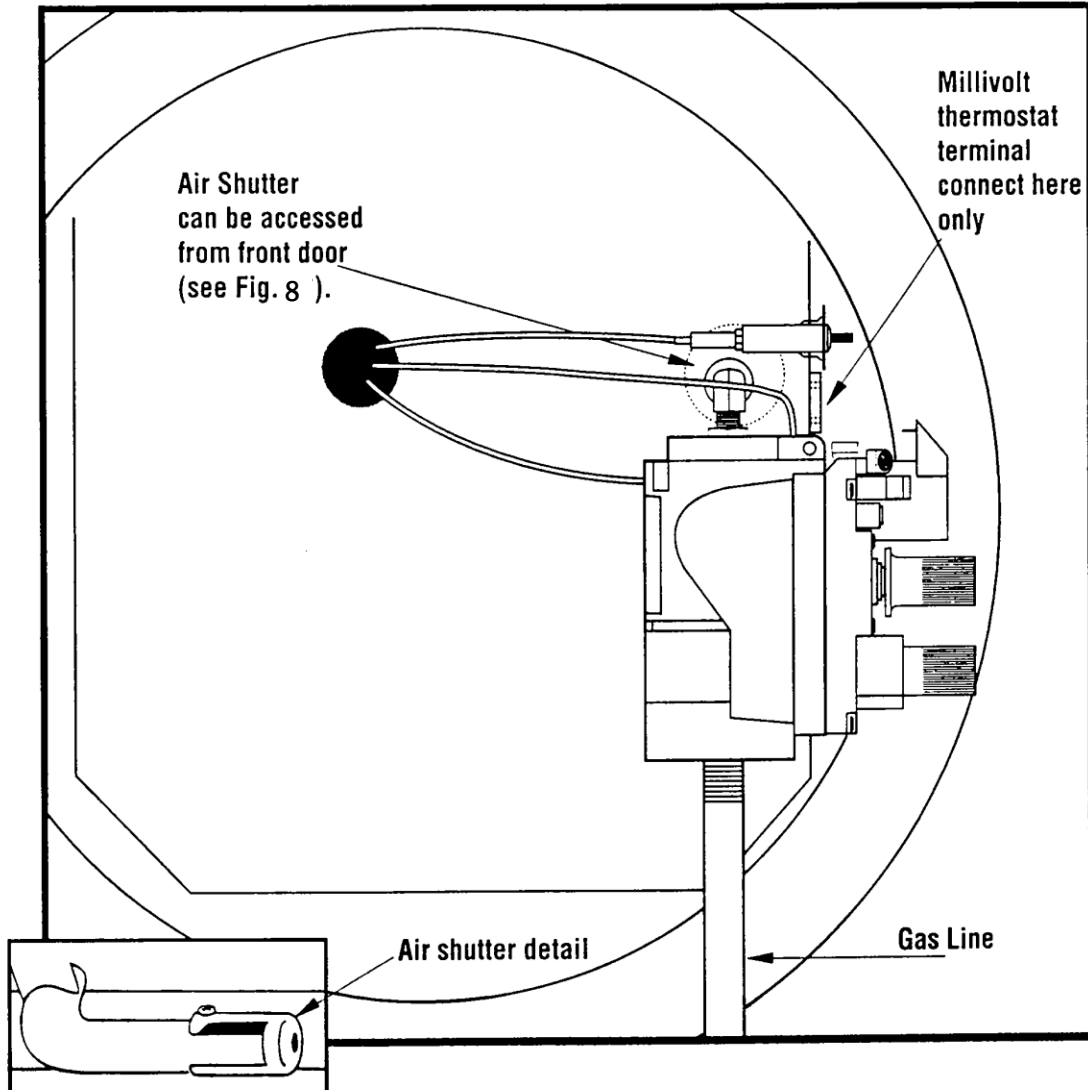
Manifold Pressure

The heater has pressure taps located on the valve to check the manifold pressure (see Figure 8). If the manifold pressure does not match the following pressure, check inlet pressure and correct the problem:

Natural gas: High - 3.5" WC, Low – 1.7" WC
 Propane: High – 11.0" WC, Low – 3.5" WC

FIGURE 3 – BOTTOM VIEW SHOWING AIR SHUTTER AND LOCATION FOR PRESSURE GAUGE INSERTION

(Burner must be removed to access air shutter)



ORIFICE INFORMATION

Factory installed orifices are as follows:

- Natural Gas = #39 (up to 4,500' elevation)
- LP Gas = #53 (up to 4,500' elevation)

Recommendation: If installing at higher altitudes, Thelin Co. recommends, at the discretion of the installer:

- Natural Gas = #40 (5,000' to 7,000' elevation)
- LP Gas = #54 (5,000' to 7,000' elevation)

REMEMBER! The size of the orifice hole should be reduced the higher the elevation.

Orifice Size

The orifices are factory installed for altitudes up to 4,500 feet. If installing in a higher altitude check the orifice information (see Figure 3).

Electrical Rating

Room fan electrical rating is 115 V, 1.3 Amps, 60 Hz.

Dimensions

See Figure 1 for heater dimensions.

Gas Data

Input BTU:

Natural gas: 31,000 High, 18,600 Low
Propane: 28,000 High, 16,800 Low

Minimum Inlet Pressure:

Natural gas: 5.5" WC (Water Column)
Propane: 11.5" WC

Suggested Maximum Pressure:

Natural gas: 7" WC
Propane: 13" WC

INSTALLATION

Installation and repair should be done by a qualified service person. The appliance should be inspected before use and at least annually by a professional service person. More frequent cleaning may be required due to excessive lint from carpeting, bedding, material, etc. It is imperative that control compartments, burners, and circulating air passageways of the appliance be kept clean.

Pipe Size

4" x 6-5/8"

Clearance to Combustibles (See Figure 2)

See Listing Label for clearance to combustibles. Due to high temperatures, the room heater should be

located out of traffic and away from furniture and draperies. Children and adults should be alerted to the hazards of high surface temperature and should stay away to avoid burns or clothing ignition.

Floor Protection

Floor protection is not required when installing the Direct Vent stoves, but is recommended if placed on carpet or any other soft material for the stove to remain level. In addition, the following criteria must be adhered to when installed:

1. Install on level and secure floor.
2. Due to high temperatures, the room heater should be located out of traffic and away from furniture and draperies.
3. When placed in a location where the floor-to-ceiling height is under 7', the installation is considered an alcove and must meet the following criteria: Floor to ceiling of alcove must be a minimum of 45". The depth of the alcove must be at least 27".

Bedroom Installation

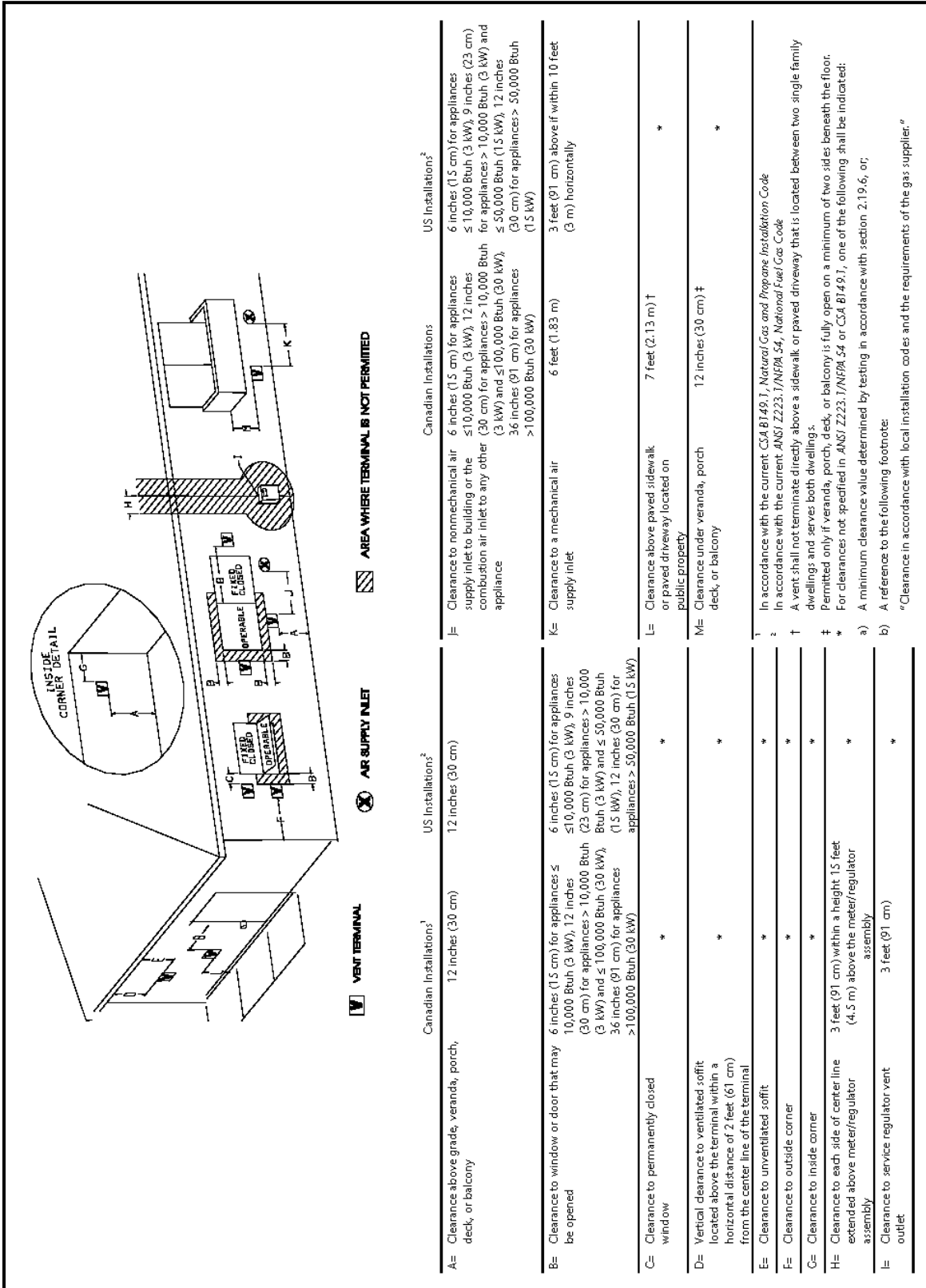
This Direct Vent appliance may be installed in a sleeping room provided the wall thermostat option is utilized.

Horizontal Installation

Maintain a 1" clearance from combustibles to pipe through the wall. Check all local and national building codes. Termination clearances are as follows (see Figure 4).

- A. Clearance above ground, verandah, porch, deck, or balcony: 12" minimum (30 cm.)

FIGURE 4 – VENT TERMINATION LOCATIONS



B. Clearance to window or door that may be opened:

Canadian Installation: 6” minimum (15 cm) for appliances ≤ 10,000 Btuh (3 kW); 12” (30 cm) for appliances > 10,000 Btuh (3 kW) and ≤ 100,000 Btuh (30 kW), 36” (91 cm) for appliances > 100,000 Btuh (30 kW)

U.S. Installation: 6” minimum (15 cm) for appliances ≤ 10,000 Btuh (3 kW); 9” (23 cm) for appliances > 10,000 Btuh (3 kW) and ≤ 50,000 Btuh (15 kW), 12” (30 cm) for appliances > 50,000 Btuh (15 kW)

C. Clearance to permanently closed window: Clearance in accordance with local installation codes and the requirements of the gas supplier.

D. Vertical clearance to ventilated soffit located above the terminal with a horizontal distance of 2 feet (61 cm) from the center line of the terminal: Clearance in accordance with local installation codes and the requirements of the gas supplier.

E. Clearance to unventilated soffit: Clearance in accordance with local installation codes and the requirements of the gas supplier.

F. Clearance to outside corner: Clearance in accordance with local installation codes and the requirements of the gas supplier.

G. Clearance to inside corner: Clearance in accordance with local installation codes and the requirements of the gas supplier.

H. Clearance to each side of center line extended above meter/regulator assembly:

U.S. Installation: Clearance in accordance with local installation codes and the requirements of the gas supplier.

I. Clearance to service regulator vent outlet:

U.S. Installation: Clearance in accordance with local installation codes and the requirements of the gas supplier.

J. Clearance to non-mechanical air supply inlet to building or the combustion air inlet to any other appliance:

U.S. Installation: 6” minimum (15 cm) for appliances ≤ 10,000 Btuh (3 kW); 9” (23 cm) for appliances > 10,000 Btuh (3 kW) and ≤ 50,000 Btuh (15 kW), 12” (30 cm) for appliances > 50,000 Btuh (15 kW)

K. Clearance to a mechanical air supply inlet:

U.S. Installation: 3’ (91 m) above if within 10’ (3 m) horizontally

L. Clearance above paved sidewalk or paved driveway located on public property:

U.S. Installation: Clearance in accordance with local installation codes and the requirements of the gas supplier

M. Clearance under veranda, porch deck, or balcony:

U.S. Installation: Clearance in accordance with local installation codes and the requirements of the gas supplier

Maximum horizontal run 4’ after 2’ vertical rise.

Mobile Home Installation

Direct Vent appliances installed in Mobile Homes must be secured to the floor in a minimum of two locations. Drill holes through the two back legs and counter sink and secure with lag screws. Fill counter sink holes with putty or furnace cement and paint.

Alcove

This heater may be installed in an alcove with the following minimum dimensions:

Width: 50”
Height: 50”
Depth: 32”

Venting Requirements

For proper venting, see Figure 5 and install according to the following requirements.

WARNING: The gas appliance and vent system must be vented directly to the outside of the building and never be attached to a chimney serving a separate solid flue or gas burning appliance. **Each direct vent gas appliance must use its own separate vent system. Common vent systems are prohibited.**

A 4-6 Approved Direct Vent Pipe System is required for proper installation. An adaptor is attached to the unit to be used to connect the double wall system.

NOTE: Venting systems listed below may be used with the model Echo: Simpson Duravent DV, Metalbestos DV, Excel DV, Security DV.

Installer

The installer should:

- Wear gloves and safety glasses for protection.
- Exercise extreme caution when using ladders or on roof tops.
- Be aware of electrical wiring locations in walls and ceilings.

PLANNING THE INSTALLATION

There are two basic types of Direct Vent installations:

- Horizontal Termination (Figure 5 and Figure 6)
- Vertical Termination (Figure 5 and Figure 6)

When planning your installation, it will be necessary to select the proper length of vent pipe for your particular requirements. For horizontal installations, determine the minimum clearance from the rear of the appliance to the wall (see the Listing Label). It is also important to note the wall thickness. Select the amount of vertical rise desired for “vertical-to-horizontal” type installations. For vertical installations, determine the length of vent pipe required by measuring the distance from the appliance flue outlet to the ceiling, the ceiling thickness, the vertical rise in the attic or second story, and allow for sufficient vent height above the roof line. For two-story applications, firestops are required at each floor level. If an offset is needed in the attic, additional pipe and elbows will be required. Venting terminals shall not be recessed into a wall or siding.

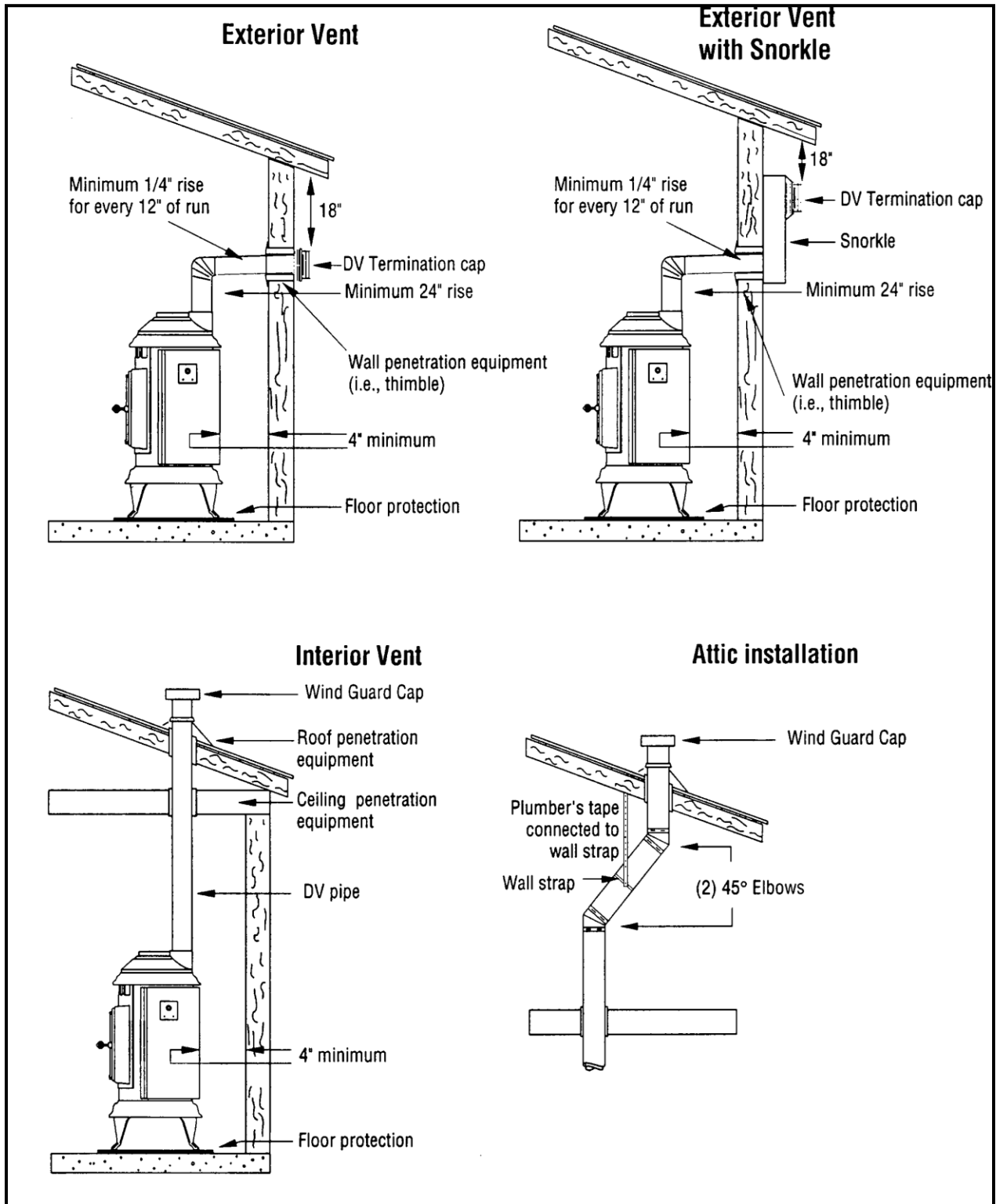
Snorkel

For installations requiring a vertical rise on the exterior of a building, 14” or 36” tall Snorkel Termination, as shown in Figure 5, are available. If the Snorkel Termination must be installed below grade (i.e., basement application), proper drainage must be provided to prevent water from entering the Snorkel Termination (see Figure 5). **Do not attempt to enclose the Snorkel within the wall or any other type of enclosure.**

Vertical Installation

The maximum vertical distance (without restriction) allowed with this appliance is 12 feet from the top of the stove to free atmosphere. **Vertical rises in excess of 12’ may require the closing of the**

FIGURE 5 – DIAGRAM OF VENTING REQUIREMENTS



restriction disks. (See Appendix A). Two 45-degree elbows to offset the vertical rise are permitted. Clearances to combustibles when passing through ceilings, walls, roofs, enclosures, attic rafters, or other close combustible surfaces are as follows: 1" to pipe from any combustible surfaces.

Notes

1. If an offset is necessary in the attic to avoid obstructions, it is mandatory to support the vent pipe every 3 feet, to avoid excess stress on the elbows (see Figure 5). Vertical installations that require offsets must use 45-degree elbows. The 45-degree elbows offer less restriction to the flow of flue gasses and intake air.
2. For multi-story vertical installations, a ceiling firestop is required at the second floor, and any subsequent floors.
3. **Any occupied areas above the first floor, including closets and storage spaces that the vertical vent passes through must be closed.** The enclosure may be framed and sheet rocked with standard construction materials. Maintain the clearance to combustibles inside the enclosure as per the Listing Label. Do not fill any of the air spaces with insulation.

4. GENERAL VENTING MAINTENANCE

Conduct an inspection of the venting system semi-annually. A periodic examination of venting system should be done by a qualified agency. Recommended areas to inspect are as follows:

1. Check all areas of the venting system exposed to the elements for corrosion. Corrosion will appear as rust spots, streaks, and in extreme cases, holes. Any components with these symptoms must be replaced.
2. Remove the termination cap and shine a flashlight down the vent pipe. Remove any bird nests or other foreign material.
3. Check for evidence of excessive condensation such as water droplets forming on the inner liner or dripping from the pipe vent joints. Continuous

condensation can cause corrosion of caps, pipe, and fittings. It may be caused by having excessive lateral runs, too many elbows, and exterior portions of the system being exposed to cold weather.

4. Inspect joints to ensure that no pipe sections or fittings have been disturbed or loosened. Check mechanical supports such as wall straps, plumbers tape, etc., for strength, fastening, and rigidity.

If heater is removed from venting system it must be attached and resealed per vent manufacturer requirements and in accordance with this installation manual.

INSTALLATION CHECKLIST

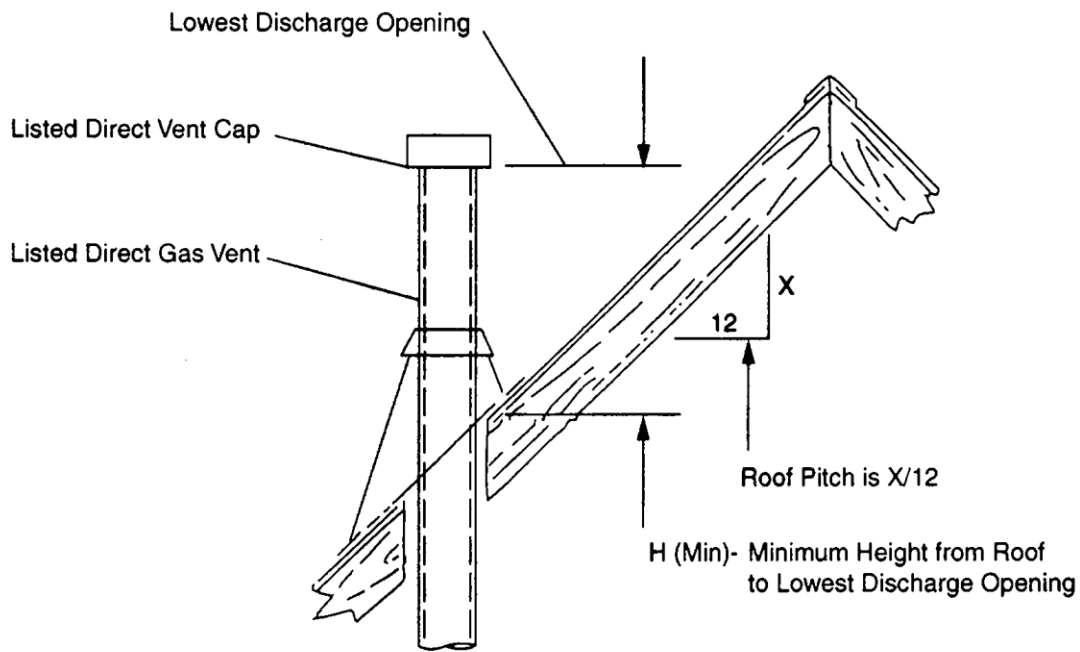
Check off the following list before proceeding to light the heater.

- There are no combustibles placed within 36" of heater or vent pipe or any combustibles that can swing within 36" of heater such as door drapes, etc.
- The location of the main shut off valve is known by everyone in the house (it is usually next to the gas meter or propane tank). EVERYONE must know where this valve is located.
- All necessary permits and installation information have been obtained and the final inspection has been performed by the local building inspector.
- The operation instructions located on the side of the heat shield have been read and understood. A copy of these instructions can be found in the "Operation" section of this manual.
- The operator and pilot igniter have read this manual thoroughly and understand it.

FIGURE 6 – VENT TERMINATION

Wind flow over roof structures can often cause localized pressure disturbances. Vent termination must take into account these disturbances and minimize them by using the following table to maintain the correct legal height of the vent.

NOTE: If your installation involves a roof with a slope greater than 6/12 or if a wall or other vertical obstruction is within 8' of the vent termination, the vent termination will have to be taller in accordance with the following table.



Roof Pitch	H (Min.) Ft.
Flat to 6/12	1.0
Over 6/12 to 7/12	1.25
Over 7/12 to 8/12	1.5
Over 8/12 to 9/12	2.0
Over 9/12 to 10/12	2.5
Over 10/12 to 11/12	3.25
Over 11/12 to 12/12	4.0
Over 12/12 to 14/12	5.0
Over 14/12 to 16/12	6.0
Over 16/12 to 18/12	7.0
Over 18/12 to 20/12	7.5
Over 20/12 to 21/12	8.0

Gas Line Installation

The gas line must be installed in accordance with all local codes. See Figure 8 for location of gas hook-up on back of heater. The gas line must be purged and this hook-up checked for gas leaks before proceeding to light pilot. A gas line shut-off valve is required no more than 3' upstream from the heater. Note: The gas hook-up on the back of the heater is 3/8" N.P.T. When pressure testing the gas supply at test pressures in excess of 1/2 psig (3.5kPa) you must isolate the heater from the supply line by disconnecting or utilizing the gas shut off valve.

OPERATION

Location of Controls

See Figure 8 for location of controls. Control functions are outlined below.

Gas Control Knob

This knob is used for starting the pilot and has three (3) positions: On, Off, and Pilot. The pointer directly above the knob indicates the position the knob is in.

Hi/Lo Flame Adjust

This knob controls the burn, either high or low. It is operated manually by turning the knob. Once in position, the wall thermostat will turn on the burner to the position which this knob is set.

Pilot Igniter

This button is used to ignite the pilot. It is pushed in while the gas control knob is in the Pilot position. When pressed, it creates a spark at the pilot, igniting it.

Burner On/Off Switch

This switch turns the burner on after the pilot is lit. When the wall thermostat is hooked up, this switch will remain in the "On" position after the pilot is lit. The wall thermostat will then turn the heater on automatically when indicated.

Fan Control Knob

This knob controls the speed of the room fan after the fan comes on.

NOTE: The fan comes on automatically after the heater gets warm, usually about 10 to 15 minutes.

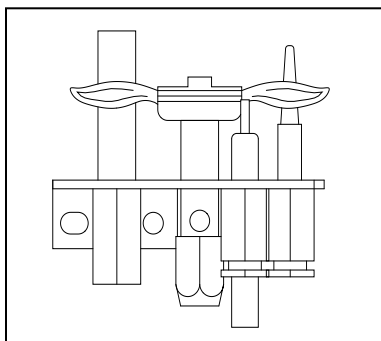
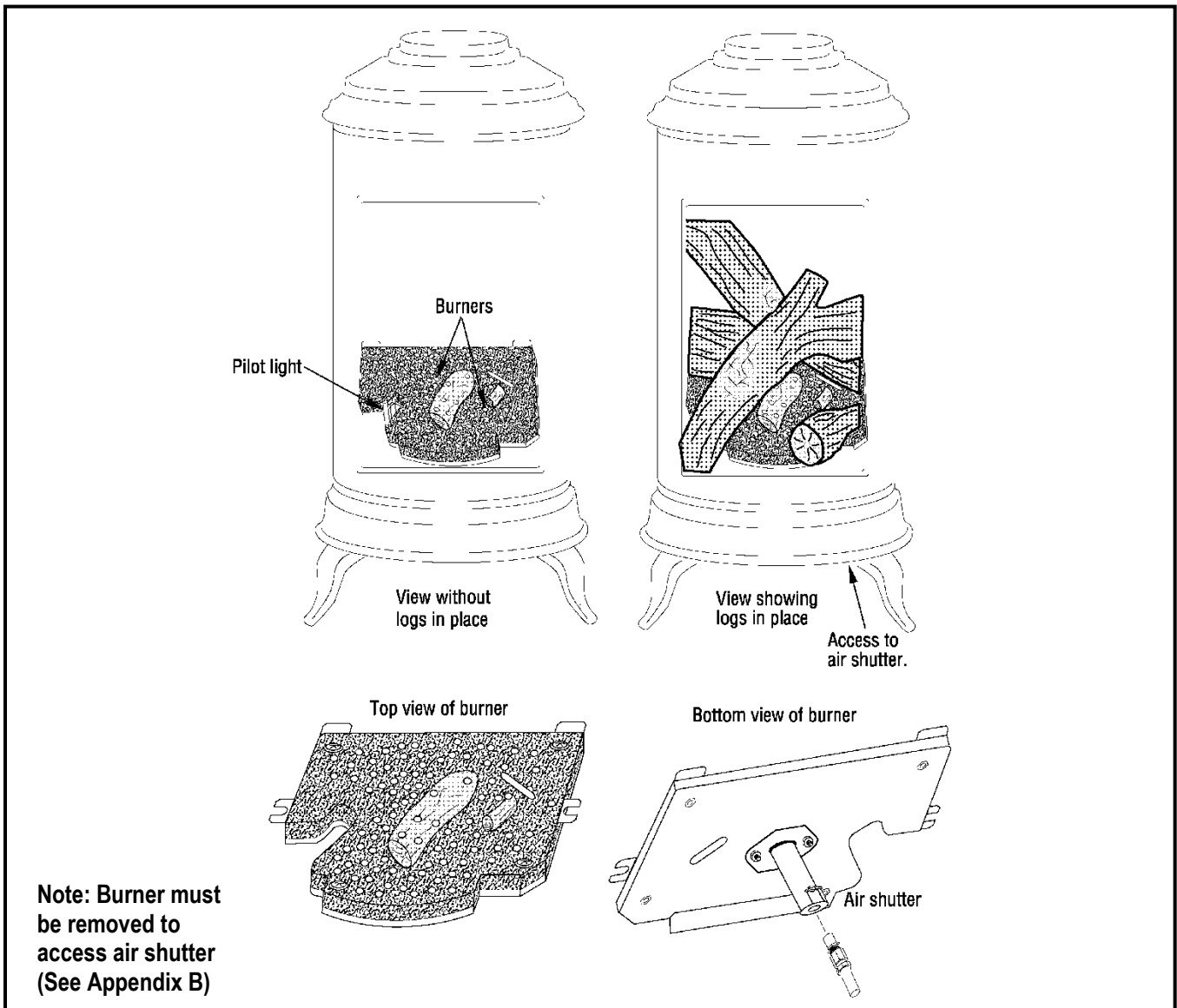
Wall Thermostat Control (Millivolt Thermostat Mandatory)

Hook thermostat wire (2) to the terminals as indicated in Figure 8, if you choose the wall thermostat option. Keep in mind the heater will run until the thermostat signals it is too hot in the room. It will then turn the heater to pilot only. Location of the wall thermostat is crucial. If it is too close to the heater, the unit will shut down frequently. If it is too far away, the heater will run longer than may be necessary. Place the wall thermostat approximately twelve (12) feet from the heater.

NOTE: Remove small wire shunt before hooking up wires.

1. Push the gas control knob in slightly and turn clockwise to the "Off" position. NOTE: The knob will not turn from "On" to "Off" unless the knob is depressed. Do not force!
2. Wait five (5) minutes to clear out any gas, then again smell for gas, including near the floor. If you smell gas, STOP and follow the instructions outlined at the beginning of this manual.

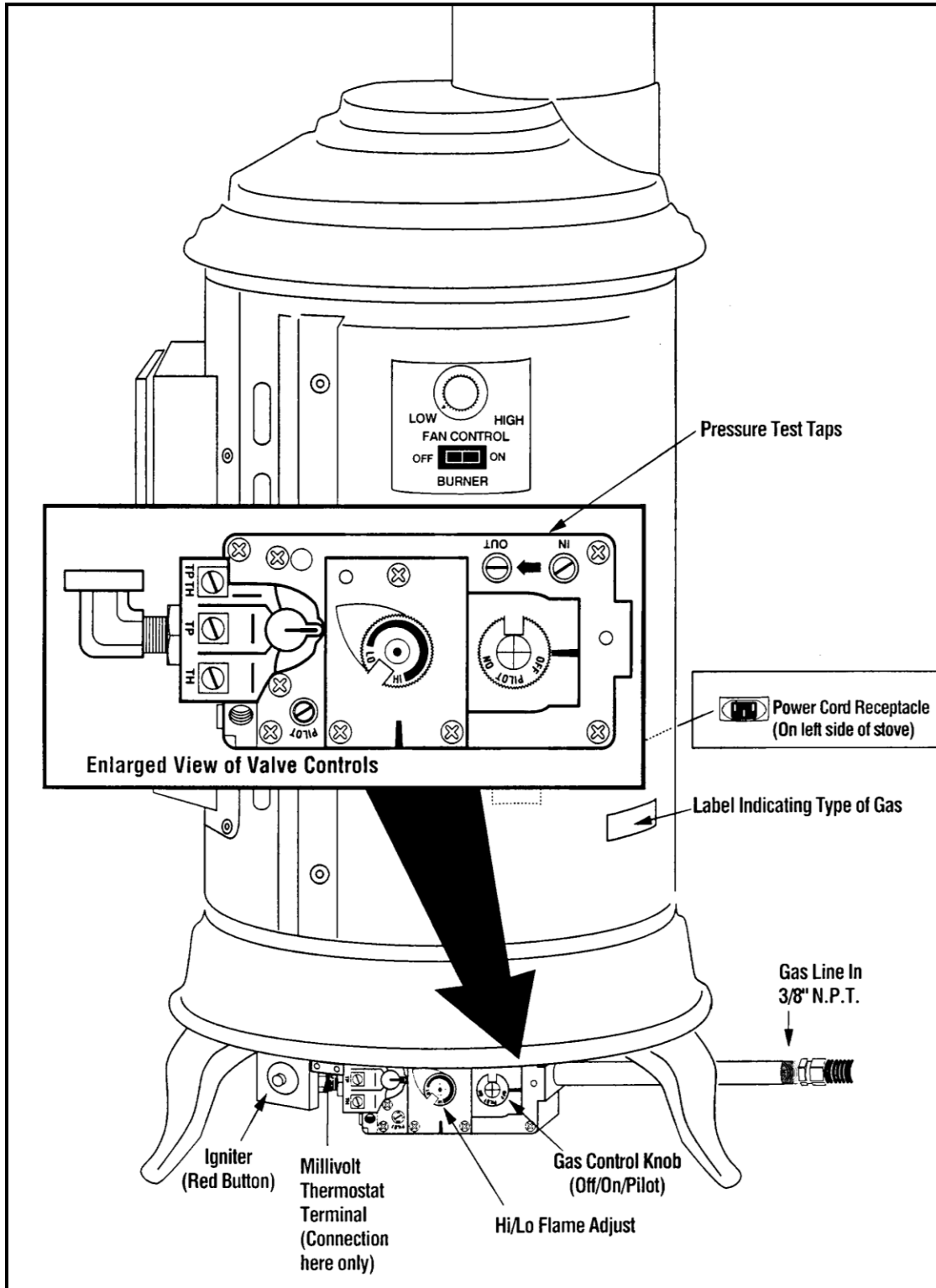
FIGURE 7 – LOCATION OF PILOT, BURNERS, AND LOGS



Burner and Pilot Checks

A periodic check of the pilot and burner flames should be made. Check after the fire has been on for at least 30 minutes. The pilot flame must cover the tip of the thermocouple and thermopile probes. If the pilot flame does not sufficiently cover the probes it can be adjusted using the pilot adjustment screw found on the front of the gas valve. The main burner flame pattern will vary from appliance to appliance depending on the type of installation and climatic conditions.

FIGURE 8 – DIAGRAM OF CONTROL COMPONENTS



LIGHTING THE PILOT

STOP! Read the following safety information before lighting.

This heater is equipped with an ignition device which must be lighted by hand. When lighting the pilot, follow these instructions exactly.

Before lighting, smell all around the appliance area for gas. Be sure to smell next to the floor because gas can be heavier than air and it will settle on the floor.

IF YOU SMELL GAS, FOLLOW INSTRUCTIONS OUTLINED AT THE BEGINNING OF THIS MANUAL!

Initial Burn, Fan, and Flame

The first time you use your heater, you will smell paint. This odor is from the paint curing on the outside of the heater. This is normal. The initial flame will at first be blue. It will become more yellow and “fire like.” You can adjust the flame height using the Hi/Lo flame adjust (see Figure 8). It is important to remember that if you have a low flame, you will also want to turn the fan control to the lower setting. You should not, however, turn the flame to “Hi” and leave the fan control on the low speed. A good rule is high flame, high fan and low flame, low fan.

Normal Sounds

On start-up you might hear a whisper sound from the pilot, a clicking in the gas control valve, and a whirring sound as the fan turns on. These sounds are all normal.

WARNING: Do not burn heater if glass is cracked or broken. See “Maintenance” for replacing glass.

MAINTENANCE

Make sure that there is adequate clearance for accessibility to service and operate the heater. Always verify proper operation after servicing. Every year you should inspect your fire box, burner, and glass gasket to make sure they are clean and functioning properly.

WARNING: Failure to inspect and maintain your heater may lead to improper burning inside the heater and could create a dangerous situation.

Burner, Firebox, and Pilot Inspection

The firebox should be inspected for any soot or dust build-up that might occur during operation. To inspect these components, open the door by unscrewing the handle until the door comes open. Remove the logs gently and inspect the holes in the burner plate to make sure that they are not clogged. Inspect the metal for signs of deterioration. There should be no soot in the firebox except where the flame might brush against the logs. If you find soot you may need an adjustment by your dealer or service technician. Visually inspect the pilot for soot build-up, proper flame height, and any obstruction. This inspection should be done periodically to ensure proper performance. See Figure 7 and Appendix B for location of pilot.

Door Gasket

Make sure the door gasket is sealed and creates a tight seal around the door.

FOR YOUR SAFETY, READ BEFORE LIGHTING

WARNING: If you do not follow these instructions exactly, a fire or explosion may result causing property damage, personal injury or loss of life.

A. This appliance has a pilot which is lit with a push-button piezo lighter. When lighting the pilot, follow these instructions exactly. BEFORE LIGHTING, smell all around the appliance area for gas. Be sure to smell next to the floor because some gas is heavier than air and will settle on the floor.

B. WHAT TO DO IF YOU SMELL GAS:

- Do not try to light any appliance.
- Do not touch any electric switch; do not use any phone in your building.
- Immediately call your gas supplier from a neighbor's phone. Follow the gas suppliers instructions.
- If you cannot reach your gas supplier, call the fire department.

Use only your hand to push in or turn the gas control knob. Never use tools. If the knob will not push in or turn by hand, don't try to repair it; call a qualified service technician. Force or attempted repair may result in a fire or explosion.

Do not use this appliance if any part has been under water. Immediately call a qualified service technician to inspect the appliance and to replace any part of the control system and any gas control which has been under water.

LIGHTING INSTRUCTIONS

1. STOP! Read the safety information above.
2. Set the thermostat to the lowest setting.
3. Controls are located at the bottom right side of the unit.
4. Turn the manual burner switch to the "OFF" position.
5. Push in gas control knob slightly and turn clockwise ↻ to "OFF".

Note: Knob cannot be turned from "PILOT" to "OFF" unless knob is pushed in slightly. Do not force.

6. Wait five minutes to clear out any gas. Then smell for gas, including near the floor. If you smell gas, STOP! Follow "B" in the safety information above on this label. If you don't smell gas, go to the next step.
7. Find pilot – follow metal tube from the gas control. The pilot is located in the front right of the firebox (Echo) or front left (Parlour, Gnome).
8. Turn control knob counterclockwise ↶ to "PILOT" position.
9. Depress control knob and push in Piezo igniter button. Once pilot ignites, continue to hold the control knob in for about one (1) minute after the pilot is lit. Release knob and it will pop back up. Pilot should remain lit. If it goes out, repeat steps 4 through 7.
If knob does not pop up when released, stop and immediately call your service technician or gas supplier.
If the pilot will not stay lit after several tries, turn the gas control knob to "OFF" and call your service technician or gas supplier.
8. Turn gas control knob counter clockwise ↶ to "ON". Set thermostat to desired setting or turn stove switch to "ON" position.

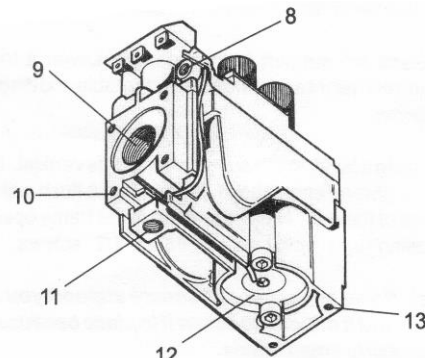
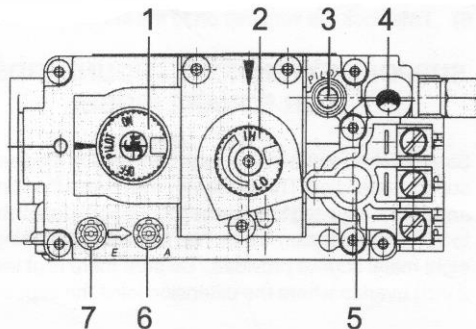
TO TURN OFF GAS TO APPLIANCE:

1. Set the thermostat to the lowest setting.
2. Turn off all electric power to the appliance if service is to be performed.
3. Push in gas control knob slightly and turn clockwise ↻ to "OFF". Do not force.

Note: The valve is equipped with a safety lock out, once in the off position you must wait until the thermopile has cooled down before attempting to light pilot. (Approximately 3 minutes)

SIT VALVE PILOT DESCRIPTION

1. Control Knob
2. High Low Knob
3. Pilot Adjuster
4. Thermocouple Tap
5. Main Operator
6. Manifold Pressure Tap
7. Supply Pressure Tap
8. Pilot Hood
9. Thermocouple
10. Pilot Housing
11. Spark Igniter
12. Thermocouple



* Pilot orifice located inside pilot hood (pull out to change)

FDM 1002

Glass Replacement

WARNING: Do not operate this appliance with the glass removed, cracked, or broken. Replacement of glass should be done by a licensed or qualified service person.

Glass replacement can be done by lifting the door off the stove and removing the face plate. The glass and gasket must be replaced as complete assembly furnished by Thelin Hearth Products, Inc. Do not substitute materials or try to cut glass that is not furnished by Thelin Hearth Products, Inc

Do not abuse glass by slamming door or striking foreign object against glass. **Do not clean glass with abrasive cleanser or when hot!**

Polishing the Gold and Chrome

All gold and chrome plating used on the Parlour can be cleaned with a soft cloth and non-abrasive cleaner.

Cleaning and Polishing Gold-Plated Parts

Gold is a soft metal and, therefore, a fragile surface. It will not discolor from heat, but it can easily be scratched. Prior to the first burn it is important to use Kel Kem Spray Gold Cleaner or Flitz Faucet & Fixture Wax and a soft clean cloth to wipe any fingerprints off all gold surfaces or the heat will cause the oil in the fingerprint to remain in the surface permanently. Always clean the gold surface when the heater is cool!

TROUBLESHOOTING

WARNING: All servicing and troubleshooting of gas controls and high voltage circuits should be done by a qualified service technician.

As a guide to help you understand the functioning and potential problem areas in your heater, use the following chart. When in doubt, do not hesitate to call your service representative or the gas supplier who furnishes you with natural gas or propane.

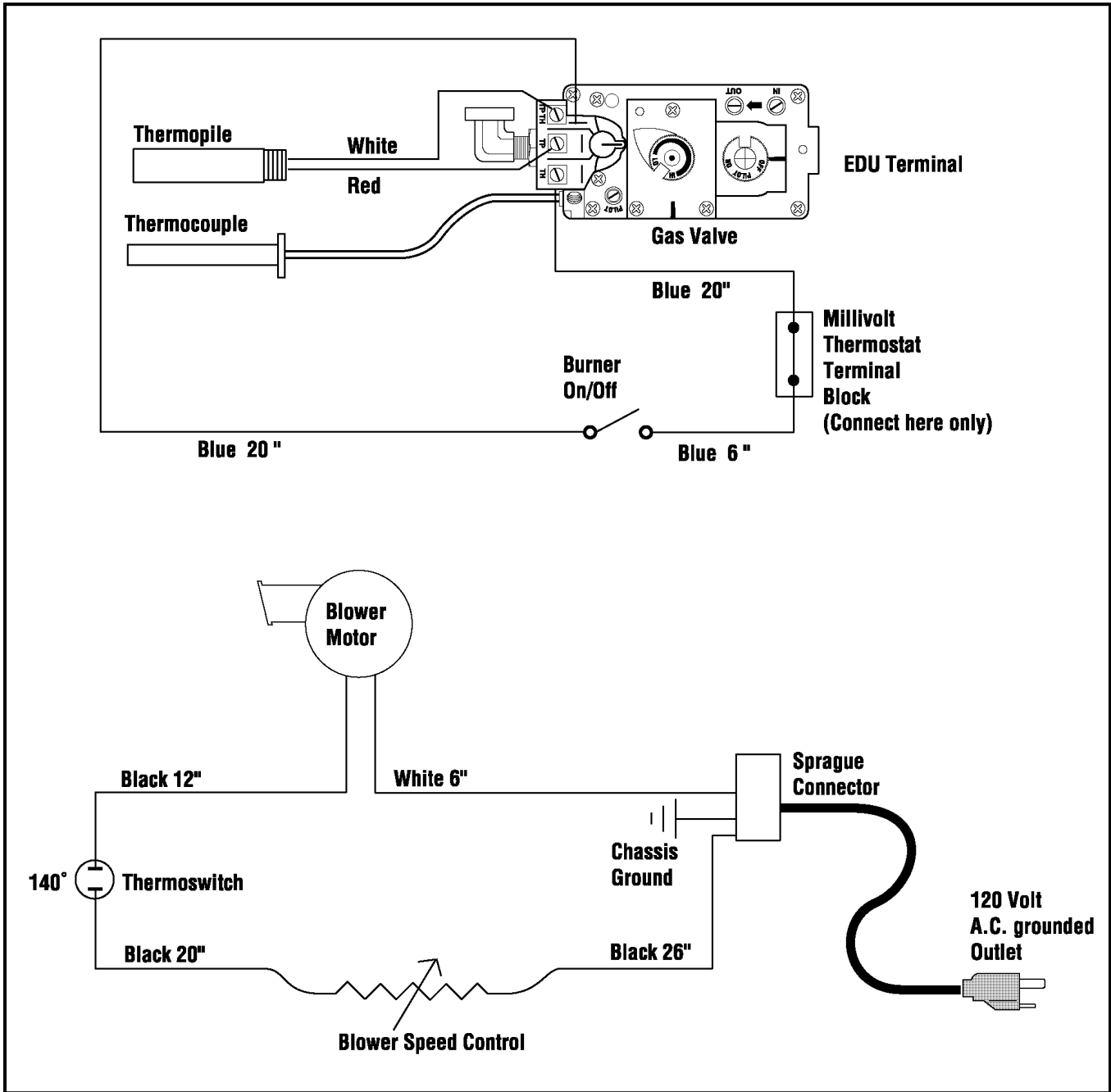
PROBLEM	POSSIBLE CAUSE
Pilot will not light	<ul style="list-style-type: none"> ▪ A gas shut-off valve is turned off ▪ The gas control valve is turned to pilot ▪ The gas control valve wasn't pushed in and/or the igniter wasn't pushed repeatedly
Main burner does not come on	<ul style="list-style-type: none"> ▪ The pilot has gone out ▪ The burner on/off switch is turned off ▪ The thermostat is disconnected or set too high
Fan does not work	<ul style="list-style-type: none"> ▪ Cord is unplugged ▪ Heater is not up to temperature and sensor has not activated
Thermostat does not work	<ul style="list-style-type: none"> ▪ Pilot has gone out ▪ On/Off switch is turned to Off ▪ Thermostat is set too high
Flame is dirty and orange, and glass is sooty	<ul style="list-style-type: none"> ▪ Logs are not placed properly or something may be obstructing burn ▪ Air adjustment may be required by a service technician
Flames are too short	<ul style="list-style-type: none"> ▪ Hi/Lo flame adjust knob is turned too low (see Figure 8)

REPLACEMENT PARTS LIST

Replacement parts are available at your dealer. Contact Thelin Co. for information on the closest dealer. The parts listed below are the only parts that the consumer may replace. All other parts must be replaced by a qualified gas service person.

PART	DESCRIPTION
Door Gasket	White 3/8" dia. fiberglass rope 51" long
Glass Gasket	Tape Knit Hytex 301B Channel
Door Glass	5 mm Pyroceram 11 7/8" x 7 3/8"
Control Knob	Round inlaid knob with 0.25" shaft
Line Cord	7'-5" 3 wire 18G black cord
Log Set	Front and back logs
Owner's Manual	This document

FIGURE 9 – WIRING DIAGRAM



Caution: Label all wires prior to disconnection when servicing controls. Wiring errors can cause improper and dangerous operation.

THELIN COMPANY LIMITED WARRANTY

Thelin Co., Inc. warrants the Parlour 3000 Direct Vent Gas Heater against defects in material and workmanship for a period of five (5) years from the date of purchase with the exception of the electrical components, gaskets, logs, moving parts, gas valve and control, and burner which are warranted for a period of one (1) year from date of purchase. Glass, gasketing, gold plating, and paint are not covered by the warranty. This warranty does not include service call cost or any other additional charges. Check with dealer from whom the heater was purchased for all costs when arranging a warranty call.

CONDITIONS

This warranty is non-transferable and is made to the original purchaser only, provided that the purchase was made through an authorized dealer or factory-authorized sale. The appliance must be installed in accordance with the Installation and Operating instructions furnished with the product, as well as all local, state, and national building codes. Any alteration, abuse, accident, or misuse of the product shall nullify this warranty. After sale service calls, adjustments, regular maintenance, cleaning and temporary repairs do not qualify for a service call or fee and are not covered.

This warranty does not cover the surface finish—either paint or enamel—door gasket and window gasket. It does not cover installation or operational-related problems such as the use of corrosive driftwood (salt), downdrafts or spillage caused by environmental conditions (i.e., wind, nearby trees, buildings, hilltops, mountains, or inadequate venting), excessive offsets, or negative air pressure caused by mechanical systems such as furnaces, fans, clothes dryers, etc. This warranty does not apply to the venting components, hearth components, or accessories used in conjunction with the installation of this product not manufactured by Thelin Co. Inc.

THIS LIMITED WARRANTY IS THE ONLY WARRANTY SUPPLIED BY THELIN CO., INC., (UNLESS AN EXTENDED WARRANTY HAS BEEN PURCHASED) THE MANUFACTURER OF THE UNITS. ALL OTHER WARRANTIES, WHETHER EXPRESS OR IMPLIED, ARE HEREBY EXPRESSLY DISCLAIMED AND PURCHASER'S RECOURSE IS EXPRESSLY LIMITED TO THE WARRANTIES SET FORTH WITHIN.

HOW TO USE THIS WARRANTY: If you find this unit to be defective in material and/or workmanship within a period of five (5) years from the date of purchase, contact your local dealer from whom you purchased the heater. All warranty work must be authorized by the factory in advance of repair and an authorization number assigned. A warranty repair claim form must be signed by both the dealer and the customer. In the event your dealer is no longer in business or you cannot locate a dealer, you may do the following: Call or write factory, giving proof of purchase information and a narrative description of the defect together with your name and address. Only the factory can authorize a heater or part return. Upon authorization by factory, return defective heater or part, freight prepaid to Thelin Company, Inc., Warranty Division, 12400 Loma Rica Drive, Grass Valley, CA 95945. Returned part or product will be repaired or replaced at Thelin Co.'s option and will be returned to you, freight prepaid, as soon as practical, but not later than 30 days after receipt.

To register your Thelin Co., Inc. warranty, complete and sign the enclosed warranty card and mail it within ten (10) days from date of purchase.

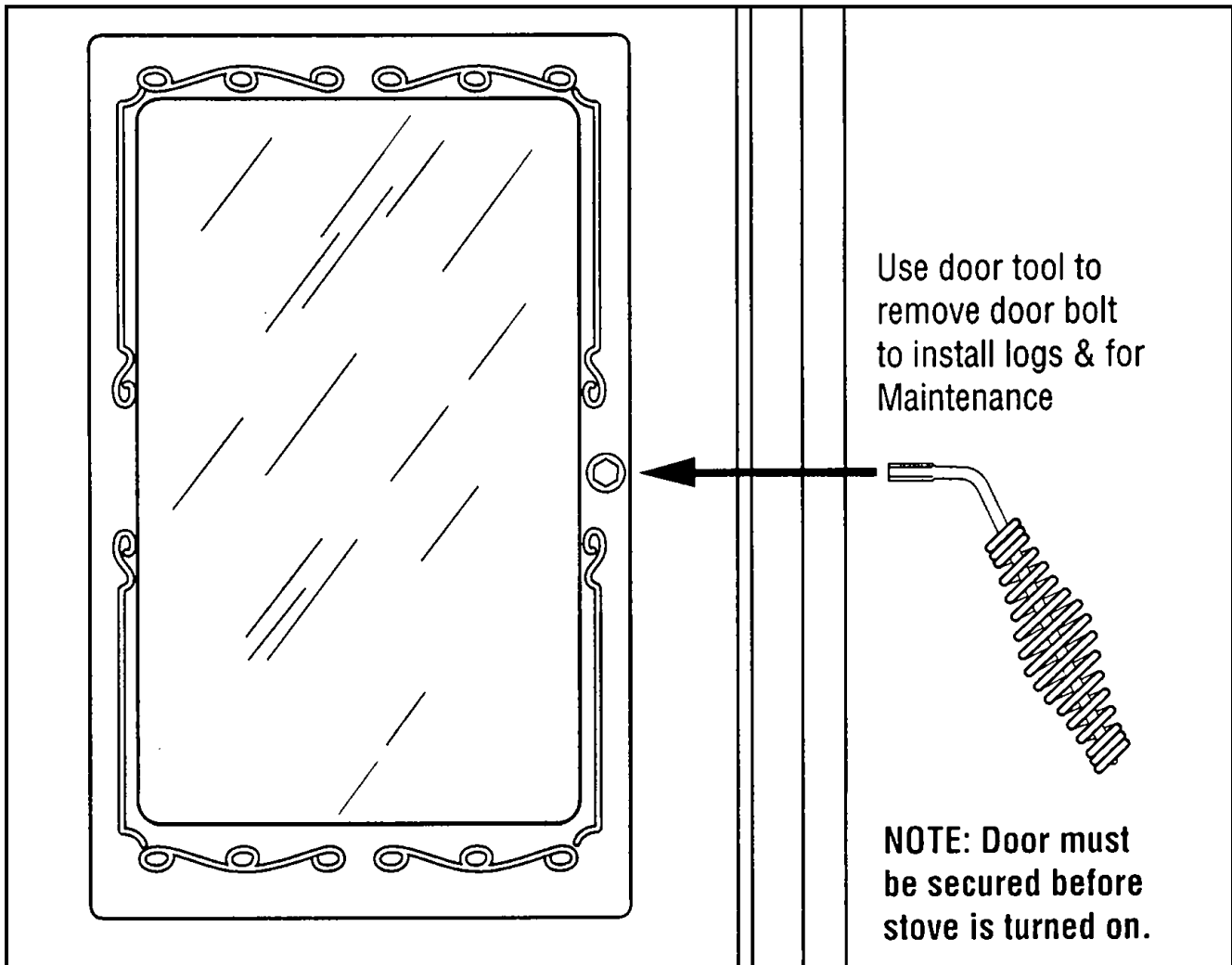
OTHER RIGHTS: This warranty provides you with certain legal rights. You may have additional rights, which vary from state to state in regard to this warranty.

COMPLETE AND SAVE FOR YOUR RECORDS

Date Purchased: _____ Serial Number: _____

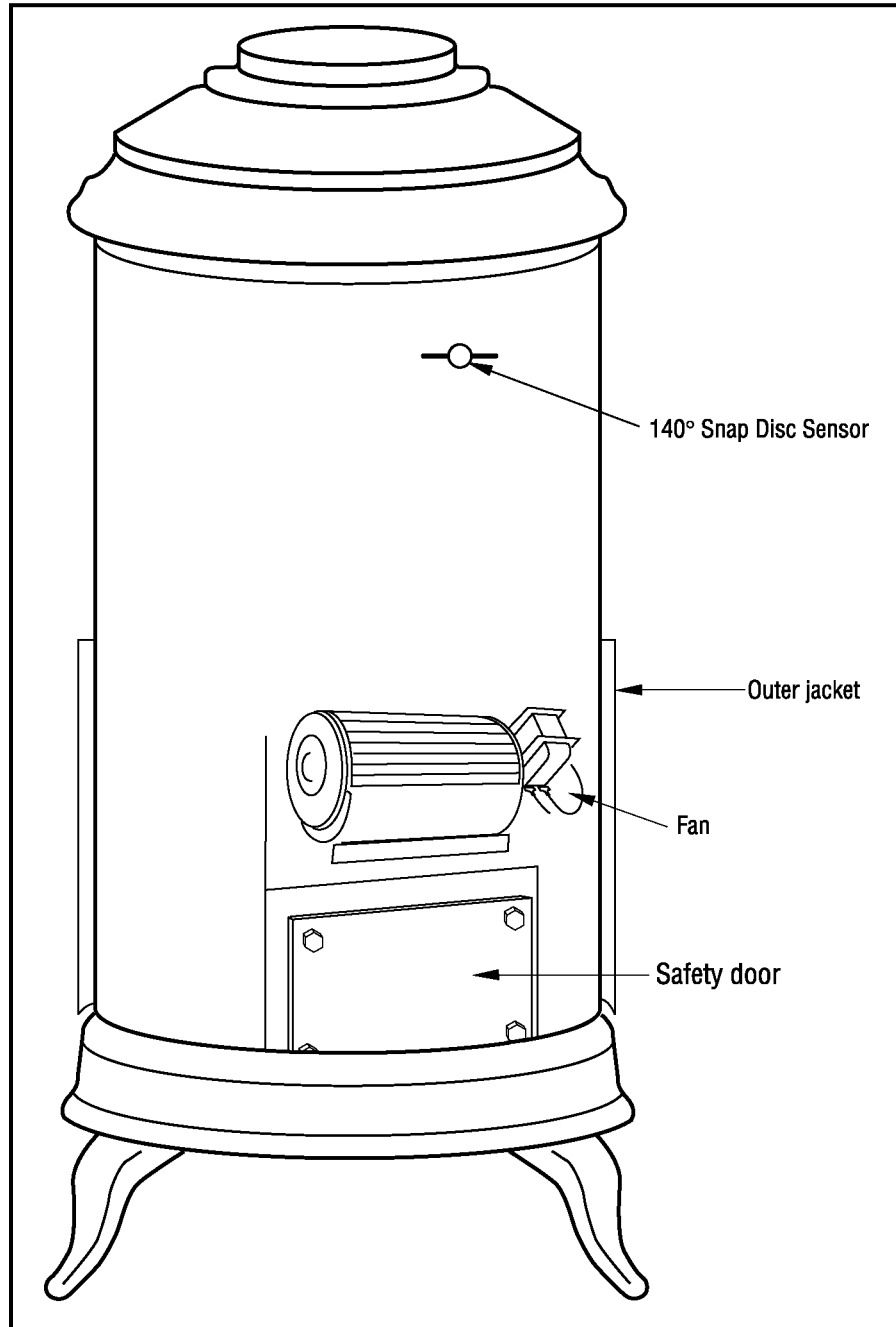
Dealer/Retailer where Purchased: _____

Thelin Company, Inc. reserves the right to change, without notice, product features or specifications described.

FIGURE 10 – DIRECTIONS FOR ENABLING DOOR OPENING AND SECURING DOOR

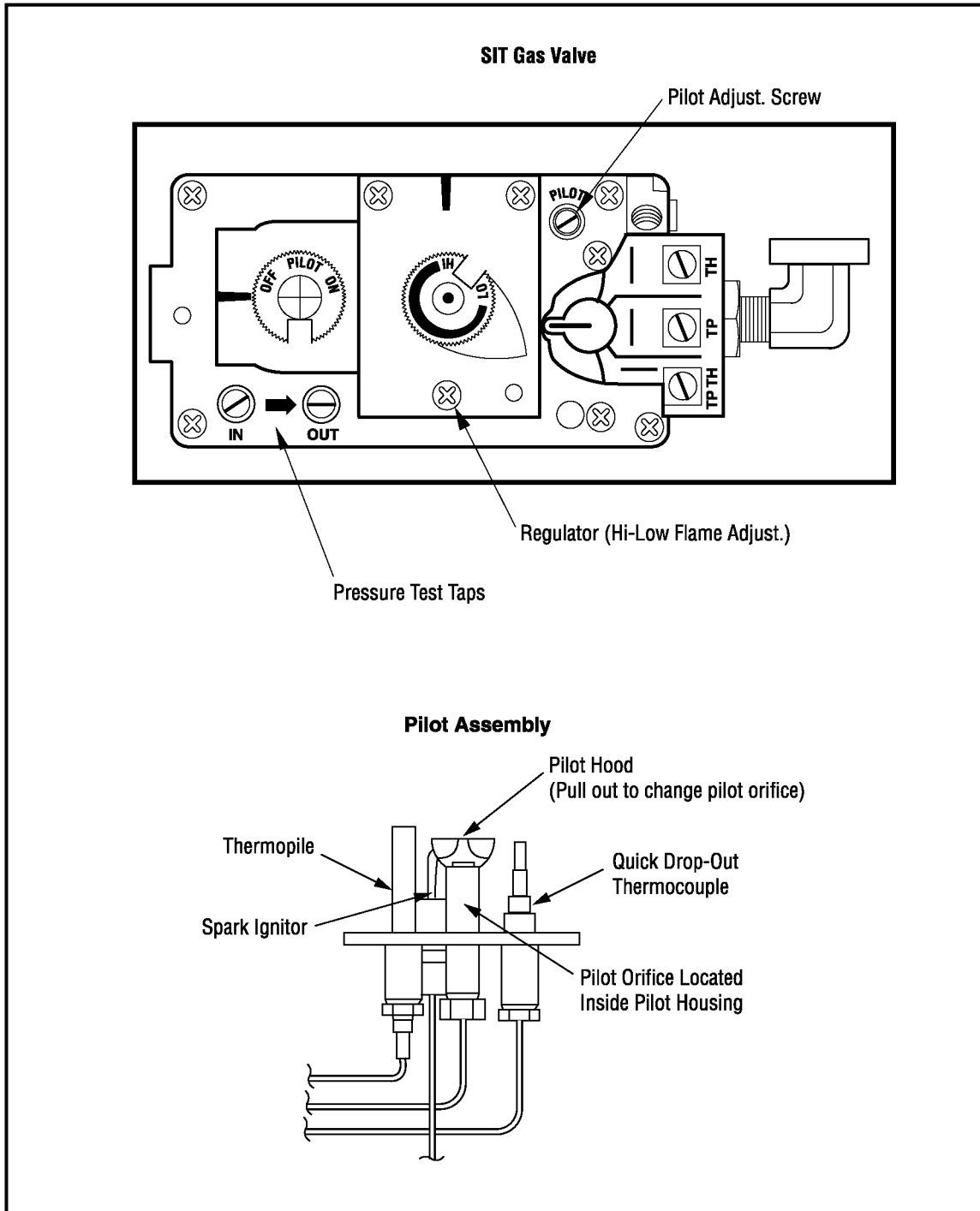
Cleaning Glass

1. Turn off stove and let cool down.
2. Open door and clean glass with glass cleaner (i.e., Windex or similar product) and wipe with soft cloth.
3. Fasten door securely before relighting.

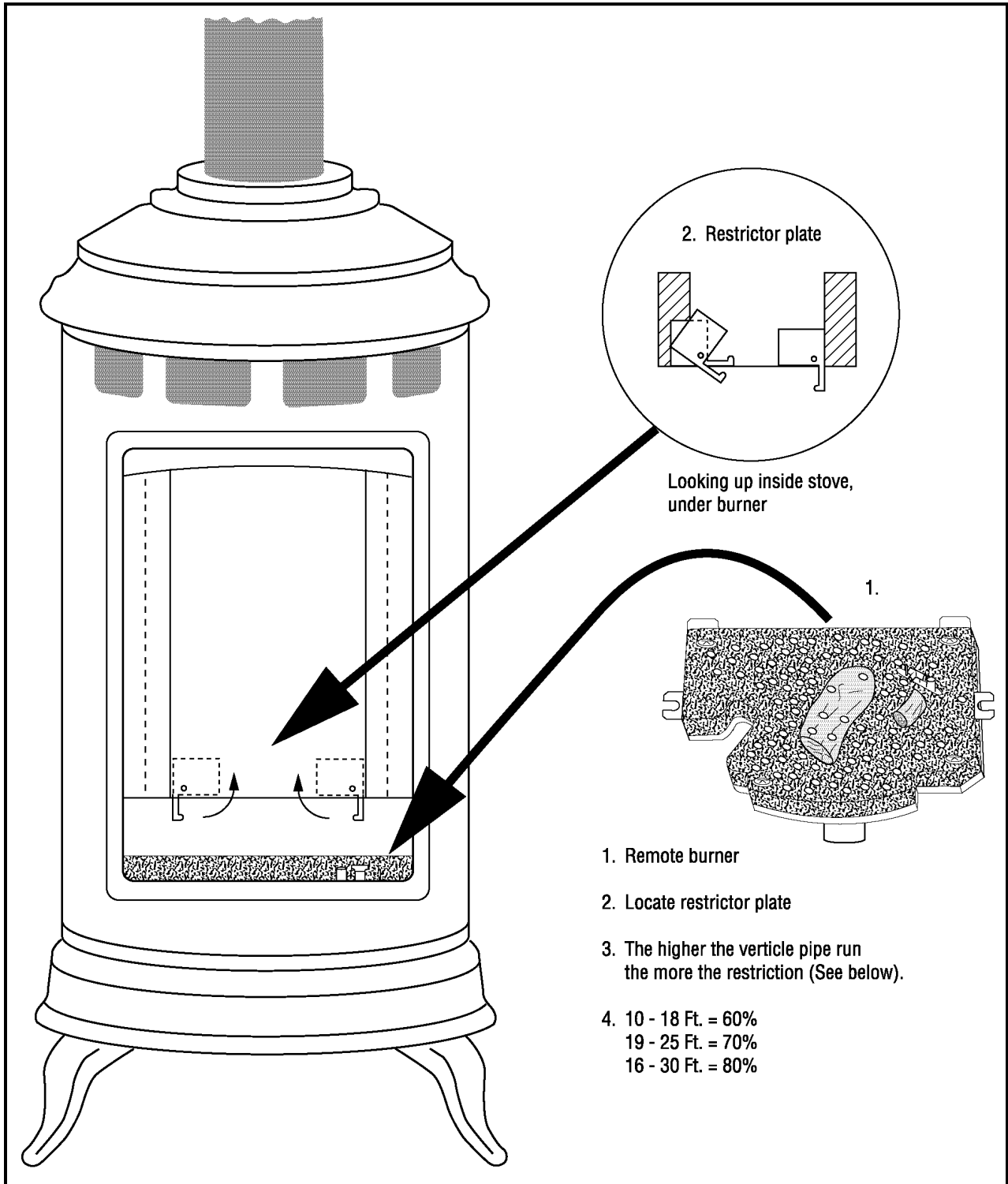
FIGURE 11 – DELAYED IGNITION SAFETY DOOR

This unit is equipped with a safety door system that will prevent damage if the stove ignites with delayed combustion. If this happens, you must have a qualified service person determine the cause of the delayed ignition.

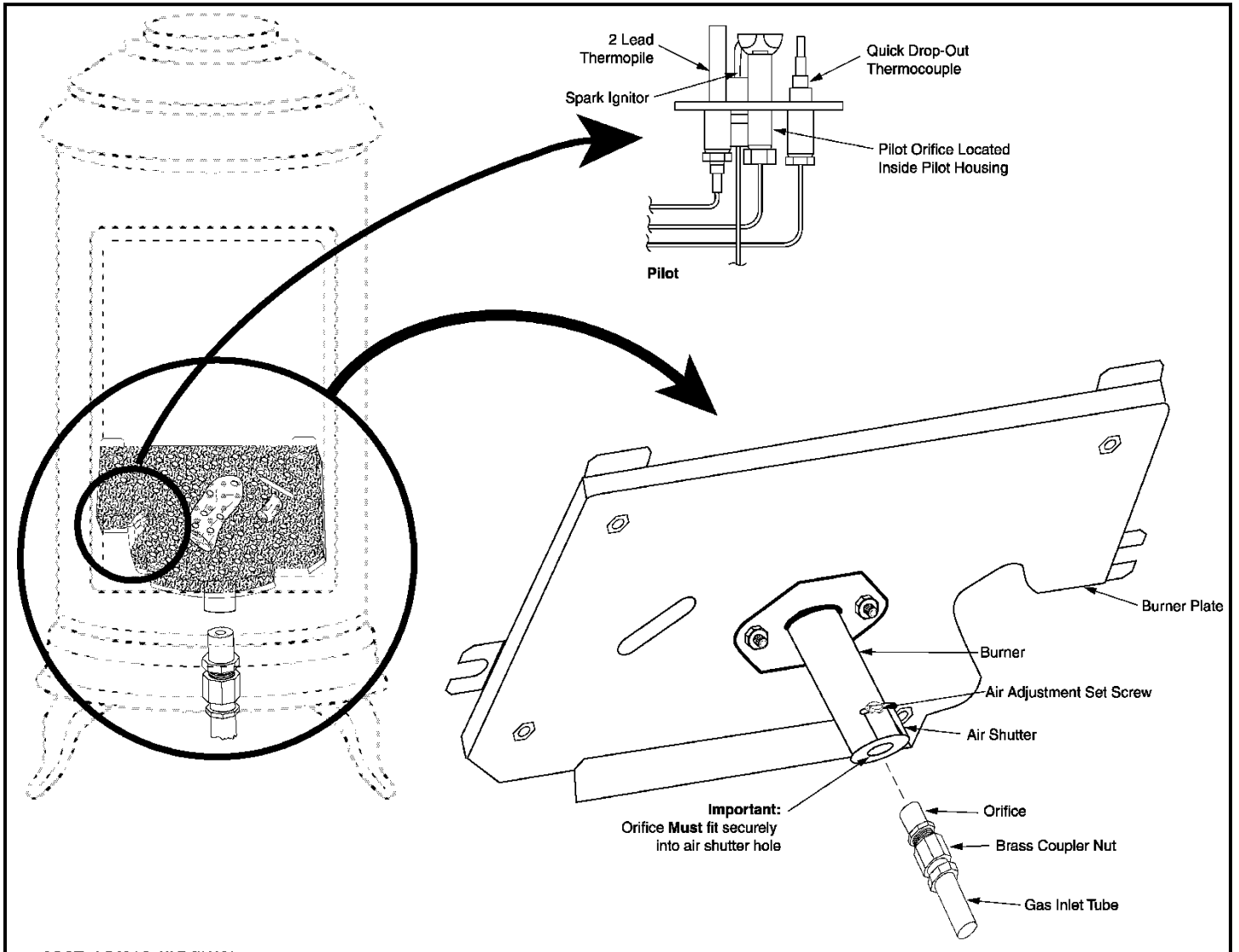
FIGURE 12- GAS VALVE AND PILOT ASSEMBLY



APPENDIX A – VERTICAL PIPE INSTALLATION – AIR INTAKE RESTRICTOR DISKS



APPENDIX B – PARLOUR STOVE WITH BURNER



APPENDIX C – PYROTECH LOG PLACEMENT

1. Ember bed installed with brick panel.



2. Install rear log #2 against brick panel and center right to left.



3. Place small log, #3, with the notch on the bottom setting of the ledge indicated in the illustration



4. Rest the “Y” log, #4, on top of the small log and rear log with the right end against the firebox and the left end against the brick panel and crotch of the rear log.



APPENDIX C – PYROTECH LOG PLACEMENT (CONTINUED)

5. Place the front log #5 against the “Y” log in the notch shown in the illustration with the bottom end up against the lip of the door opening. Note: The bottom of the log has the taper cut.





Theelin Hearth Products, Inc.
63 Laxalt Dr.
Carson City, NV 89706

www.thelinco.com

775-241-2586
